

8 7 6 5 4 3 2 1

F

F

E

E

D

D

C

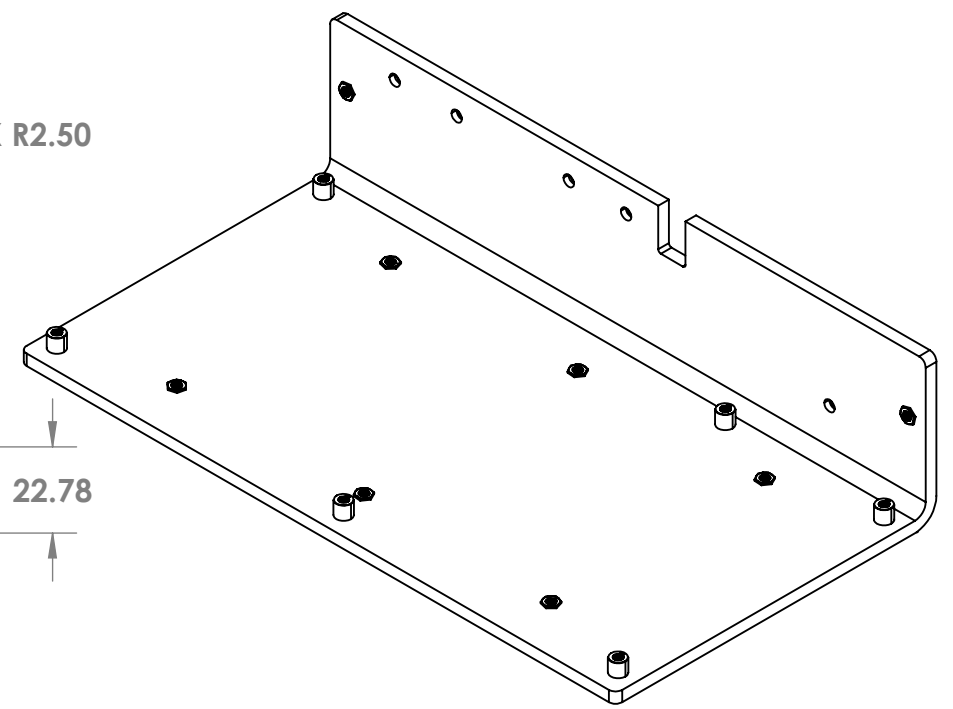
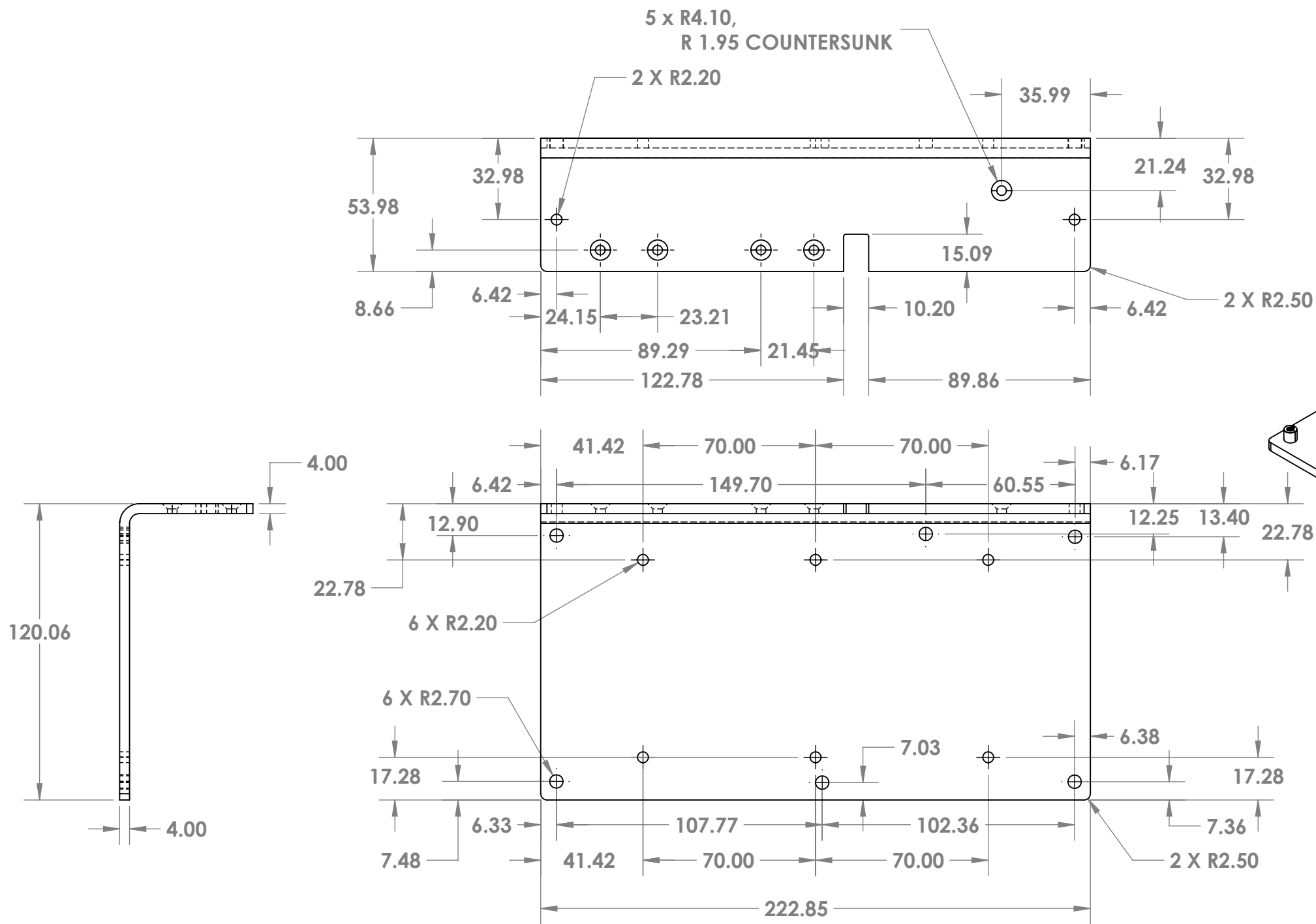
C

B

B

A

A



UNLESS OTHERWISE SPECIFIED: DIMENSIONS ARE IN MILLIMETERS SURFACE FINISH: TOLERANCES: LINEAR: ANGULAR:			FINISH:		DEBURR AND BREAK SHARP EDGES		DO NOT SCALE DRAWING		REVISION		
DRAWN			NAME		SIGNATURE		DATE		TITLE:		
CHK'D											
APPV'D											
MFG											
Q.A											
									MATERIAL:		
									DWG NO.		
									MARCH_HEATSINK_20122021_A3		
									WEIGHT:		
									SCALE:1:2		
									SHEET 1 OF 1		

8 7 6 5 4 3 2 1